



Greenhouse Accessories

Customize your greenhouse



**DESIGN YOUR
GREENHOUSE
TO YOUR
SPECIFIC
NEEDS**

A complete greenhouse experience that makes gardening easier, efficient and comfortable

Customers' satisfaction

- Create for the end-user individual-unique greenhouse which fits your perfect specific needs and desires.

Repeat-buying items

- Seller becomes a home for Greenhouses and gardening

Market signification

- Allow creative commercial options



Automatic Vent Opener

Automatic climate control

- Opens vent window automatically at warm temperature for air circulation and heat relief. Closes when temperature cools
- Automatic respond to weather changes – no need to stay near the greenhouse.
- Opening temperature can be adjusted for specific needs
- Mechanic system – no electricity is needed



Vent Kit

Additional vent window

- Additional vent helps to provide and increase airflow, and aid cooling during warmer days
- Mainly for large size greenhouses
- Note that each frame color and glazing system has a different kit
Item # 701770, Item # 701769, Item # 701187
- Package Dimensions - 66 x 55 x 4 cm / 26" x 21¾" x 1¾"



Shade Kit

Shading net

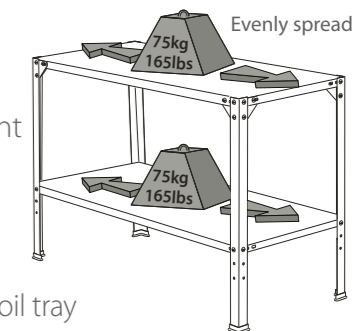
- Controls and reduces 75% of sunlight exposure
- Attached to the aluminum frame inside the greenhouse by plant hangers (included).
- Can be easily re-positioned for changing needs
- 240 x 265 cm / 94½" x 104½"



Steel Work Bench

Potting & staging bench

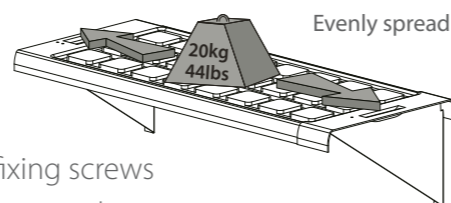
- Durable galvanized steel to hold heavy weight
- Strong and stable to use as a work station
- Two tier shelving system for plant staging
- Create well organized space
- Top shelf can be positioned upside-down as a soil tray
- Lower shelf's height can be adjusted
- 114W x 50D x 80H cm / 45" x 19¾" x 31½"



Shelf Kit

Organized your greenhouse

- Hanging system save floor space
- Includes 2 shelf parts, brackets, and fixing screws
- Clamps to aluminum frame inside the greenhouse
- Can be easily re-positioned for changing seasons or crops
- 125 x 26 cm / 49¼" x 10¼"



Victorian Ornament

Upgrades greenhouse presence

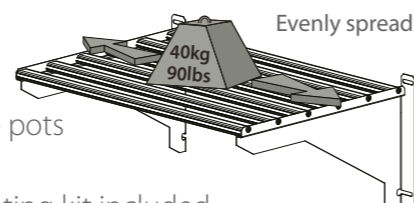
- Create unique classic landscape
- Prevents birds' waist
- Each kit includes 4 Victorian finials which are spread on 2 feet (60 cm) length
- Available in Green (Item # 97708) or Black (Item # 97709)



Heavy Duty Shelf Kit

Aluminum deep shelving system

- Deep shelf to place planting trays, large pots and soil bags
- Can be re-positioned easily - wall mounting kit included
- Can be attached to almost all profiles – including the corners
- Can be chained with additional units to a longer shelf (4', 6' etc.)
- 3 Plant Hangers included
- 58 x 42 cm / 22¾" x 16½"



Plant Hangers

For hanging and trellising

- Designed to attach shade kit & hanging baskets or pots
- Simply insert into aluminum profile channel and twist to install
- Each bag includes 10 hangers

Greenhouse Accessories *Customize your greenhouse*



Automatic Vent Opener



Plant Hangers



Shade Kit

Item #	701338	700650	700560
Product Dimensions	40 x 7 x 5 cm / 15 3/4" x 2 3/4" x 2"	3.25 x 2 cm / 1 1/4" x 3/4"	240 x 265 cm / 94 1/2" x 104 1/2"
Weight	0.6 kg / 1.5 lbs	0.1 kg / 0.25 lbs	0.6 kg / 1.3 lbs
Master Carton	25 pcs	-	10 pcs
Barcode	EAN: 7290010027941 UPC: 763552700438	EAN: 7290010027279 UPC: 894275000168	EAN: 7290010027262 UPC: 894275000199



Heavy Duty Shelf Kit



Shelf Kit



Steel Work Bench

Item #	701935	700550	701152
Product Dimensions	58 x 42 x 20 cm / 22 3/4" x 16 1/2" x 8"	125 x 26 x 16.5 cm / 49 1/4" x 10 1/4" x 6 1/2" 65 x 26 x 16.5 cm / 25 1/2" x 10 1/4" x 6 1/2"	114 x 50 x 80 cm / 45" x 19 3/4" x 31 1/2"
Weight	2.4 kg / 5.5 lbs	1.85 kg / 4 lbs	10 kg / 22 lbs
Barcode	EAN: 7290103111519 UPC: 763552701510	EAN: 7290010027255 UPC: 894275000182	EAN: 7290010027781 UPC: 894275000861

Approx. dimensions. Unless a different definition is written, all products dimensions are the product's maximal dimensions.



Manufactured and marketed by:
PALRAM Applications Ltd.
is a member of PALRAM Ind.