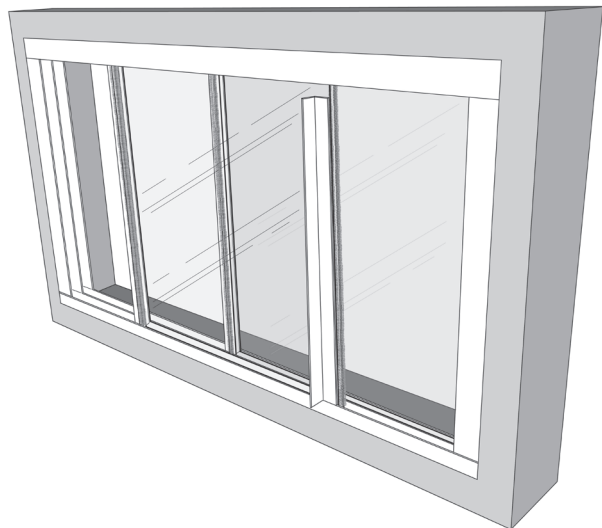




# Secondary Glazing Systems

## Trackglaze System

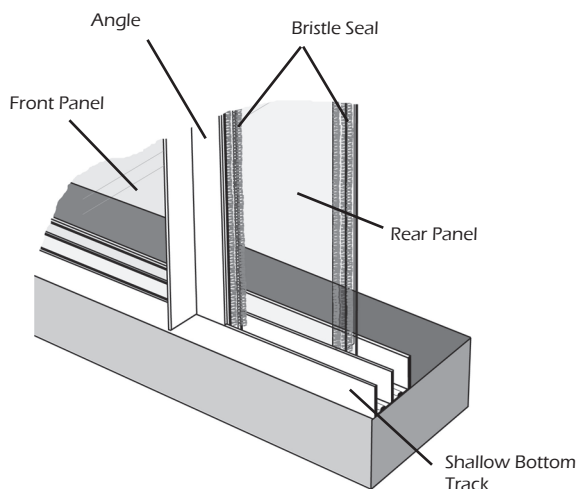
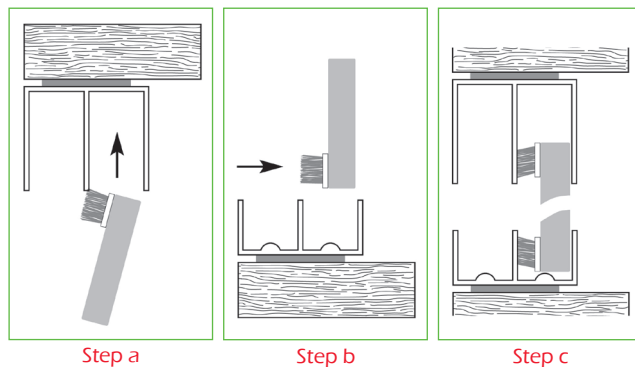
### the easy access sliding insulation system



TRACKGLAZE is an easy to install system that gives you excellent heat and noise insulation, but with the advantage of simple slide opening for access to your outer windows. The system comprises rigid PVC Double Sliding Track, that is used on all 4 sides of the window cavity, Bristle Seal draught excluder for the edges of the glazing sheets and a simple rigid PVC Angle for the finger pull handle on the glazing panels. The finished appearance is smart and clean, and the draught excluder ensures that every part of the frame is sealed when closed. Installation is made simple by the self-adhesive tape which is on every component, and the track lengths can be strengthened with other appropriate fixings if required.

The TRACKGLAZE Sliding Tracks are cleverly designed so they can be fully fitted to the window cavity BEFORE inserting the glazing sheet, using the steps below.

- By pushing the sheet up into the deeper top track,
- Lifting the sheet over the lip of the shallower bottom track,
- Placing into the correct channel, leaving the top of the sheet still contained in the top track



Bottom of Window Frame

Easyfix® DIY TRACKGLAZE is designed for use with 4mm glass, acrylic or polycarbonate sheet. It is supplied fully packaged, including fitting instructions, with the following self-adhesive contents in each retail pack:

- 3 lengths Top Sliding Track
- 1 length Bottom Sliding Track
- 2 lengths Angle
- 1 coil of Bristle Seal.

Packs also contain Easyfix® Surface Preparation Wipes, which clean and degrease the window surround to give best adhesion of the self-adhesive tape. They are sold in either 1m or 2m pre-packs with 6m or 12m of Bristle Seal and available in all white or all brown, although the completed frame can be painted if required. Single packs are on sale from accredited Easyfix® DIY retailers, or outers of 3 packs can be supplied direct from Tubeway (Sales) Ltd.

**SIZE RESTRICTIONS** - We recommend that glass panels are limited to 1500mm on either dimension to ensure the glass is not too heavy to install or slide. If you are using plastic glazing sheets it is best to limit these to 1000mm in height to reduce the risk of bowing, although Angle handles placed on both sides will help prevent this. Please note the ideal shape for glazing panels is wider than taller, for stability when sliding.

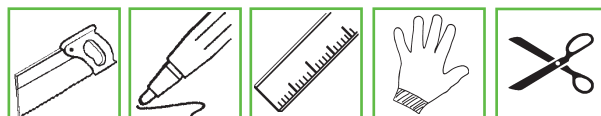
**HELPFUL HINTS** - If glass is being used with TRACKGLAZE, the edges **MUST** be ground to remove sharpness, as fitting requires handling the sheet edges. Ask your glass supplier for help or advice with this as well as the safety implications of normal and toughened glass. For your safety and the cleanliness of the glazing, we recommend always using gloves when inserting or removing panels from the installation.

The window cavity to be insulated must be flat and true, i.e. the same height all along to allow the glass to slide, and the cavity cannot be sloping.

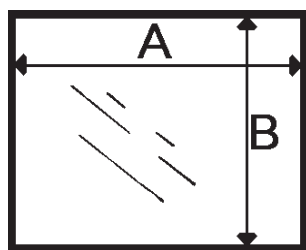
If you have more than one opening window behind TRACKGLAZE, or purely for aesthetics, it is possible to have a static panel in the rear track and two sliding panels in the front track, at either side of the rear panel. This is no more difficult to achieve, but double check glazing sizes before purchase to make sure sufficient overlap has been allowed.

TRACKGLAZE has been designed for use without mitred corners, because the differing heights of the top and bottom track make 45° mitres unfeasible. If you wish to attempt them you will need to adjust the lengths required and we strongly recommend that you do a trial fit of any mitred corners before removing the adhesive tape backing.

**TOOLS REQUIRED** - Fine tooth saw, pencil, tape measure, gloves and a pair of scissors.



### Measuring up for your Glass or Plastic Glazing



1. Measure the window cavity: horizontally (measurement A) and vertically (measurement B).
2. For the height of the glazing you require - subtract 13mm from measurement B for glass or 12mm for Acrylic or Polycarbonate sheet.
3. Measurement A is the total glazing width of your window. For a two panel system add 4mm to measurement A and divide this between your 2 panels. For each additional panel add a further 8mm before dividing up. (e.g. a three panel will be A plus 12mm, a four A plus 20mm, etc.). This should allow an overlap on each panel to apply the Bristle Seal and ensure every panel will overlap when closed.

### Measuring up for your TRACKGLAZE lengths

4. For the frame bottom, you need one length of Bottom Track cut to measurement A. For the rest of the frame, you need lengths of Top Track as follows: one cut to measurement A, two cut to measurement B less 25mm.
5. For the finger pull handle, the maximum length would be measurement B less 35mm. It will work perfectly if it is shorter, but it is also useful for masking the Bristle Seal where the glazing panels meet.

### USING TRACKGLAZE STEP BY STEP

6. Clean and degrease the window frame where TRACKGLAZE is to be fitted, e.g. with Easyfix® Surface Preparation Wipes. If the self-adhesive tape is not to be used, or you wish to strengthen the fitting, source other appropriate fixings.
7. Cut a length of bottom track (the shallow track) to measurement A, and fit to the bottom of the frame. Cut a length of top track to measurement A and fit to the top of the frame.
8. Check the exact measurement between the top and bottom tracks - this should be approximately measurement B less 25mm. Cut two lengths to the exact measurement and fit to the window frame sides. The tracks should neatly align all the way round.
9. Working with the rear panel first, cut exact lengths of Bristle Seal and fit to all 4 edges of the glazing panel, on the same face, within 1mm of each edge. Using gloves, insert the panel into the rear track with the Bristle Seal facing towards you. You do this by pushing the panel up into the deeper top track, lifting over the lip of the shallow bottom track and placing into the rear channel.
10. Now working with the front panel, cut exact lengths of Bristle Seal and fit to the 3 sides that will be enclosed by the track - avoid fixing to the edge where the panels overlap. Trial fit the front panel with the Bristle Seal facing away from you. With the panels in the closed position, make sure the final Bristle Seal will match up with the seal on the rear panel. Remove the front panel and install the last length of Bristle Seal and then replace the panel.
11. Measure the visible height of the glazing and subtract 10mm (to allow each panel to be lifted out when required). Cut this length of Angle and apply to the visible edge of each panel in the front track, leaving the 10mm gap at the top. This should mask the Bristle Seal behind it and allow easy sliding of the panels. An optional length of angle can be fitted to the rear panel if required.
12. Slide the panels into the closed and sealed position and there you have it - Super Job!

**PLEASE READ INSTRUCTIONS THOROUGHLY BEFORE CUTTING OR FITTING ANY SYSTEM**