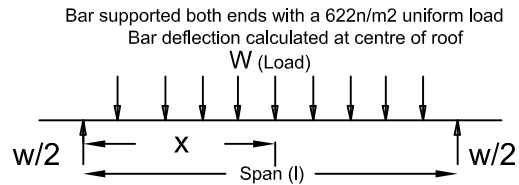
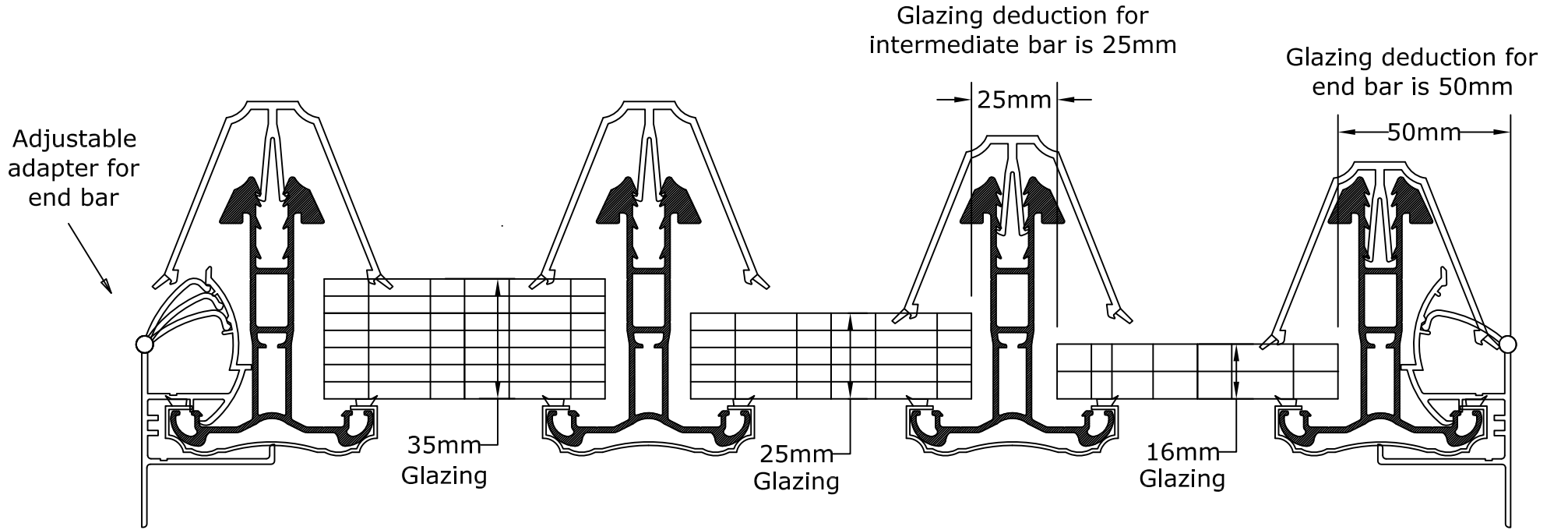


Heavy Duty Self Supported Glazing Bar

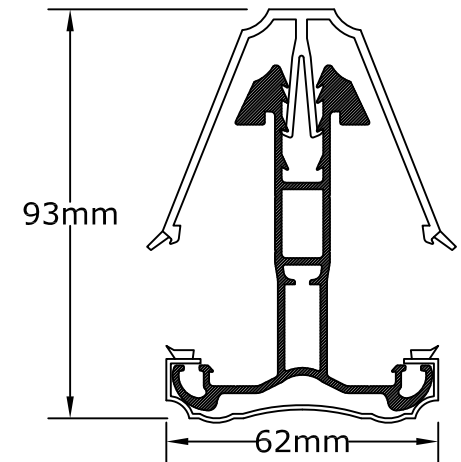
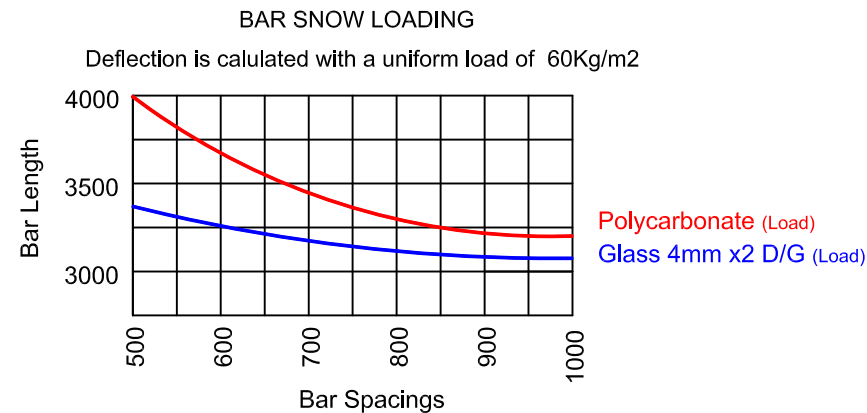
Can be glazed with 16mm, 25mm, 32mm and 35mm Polycarbonate Sheet or Glass



$$\frac{5 \times W \times L^3}{384 \times E \times I}$$

Where W = Load
E = Modulus Of Profile in N/mm²
I = Inertia in mm⁴

Deflection calculation of Heavy Duty Self Supporting Glazing Bar
Fail point beyond a deflection of 35mm under maximum load



Description

Heavy Duty Self Supported Bar

Available in 3m, 3.5m, 4m & 6m Lengths
Colours - White, Brown, Rosewood, Golden Oak, Black, Grey, Antique Oak and all RAL colours

Scaled To Fit

Weight	1.6KG /metre
Alloy	T6 Aluminium Extrusion
Part No. Ref	SSH-(size)-(colour)

Important Notice

This drawing is the property of Planet Roofing Limited. The copy and distribution of this drawing is prohibited under copyright law without the written consent of Planet Roofing Limited. Patent protection applies, please contact our office for patent approval numbers.